



Directive Systems & Engineering

2702 Rodgers Terrace
Haymarket, VA 20169-1628

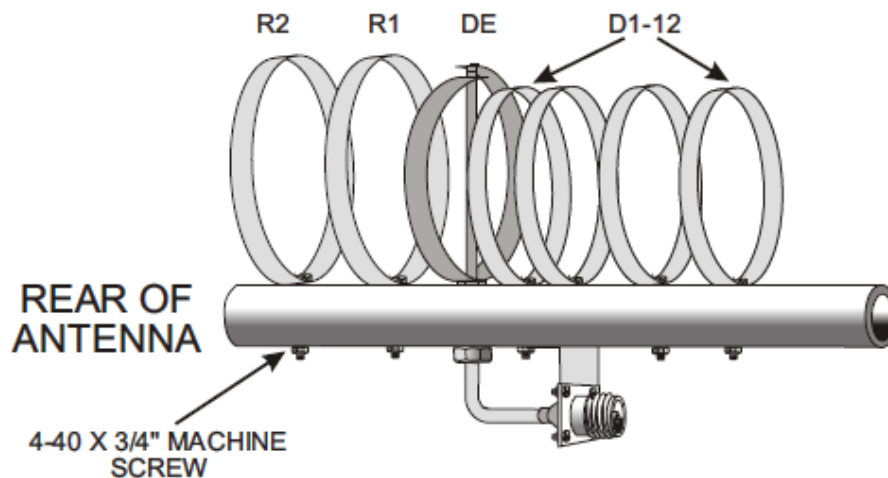
www.directivesystems.com

703-754-3876

2304 MHz Loop Yagi Modification Kit, Model DSE13MOD

FOR: 1345LY & 1352LY manufactured before May 17, 1997

This modification kit was designed to upgrade older versions of several Down East Microwave / Directive Systems 13 cm antennas. The applicable antennas are the 1345LY and the 1352LY, with manufacture dates before 5/17/97. Any antennas purchased after 5/17/97 will not need the modification kit, as the improvements were added at that time. The two larger reflector elements are replaced with new ones and, when installed on the 1345LY and the 1352LY, add almost one decibel of additional gain and much improved f/b ratio.



ASSEMBLY INSTRUCTIONS

- 1) Locate your loop yagi so that it is readily accessible and at ground level.
- 2) Remove both R1 and R2, the two reflectors behind the driven element, and discard them. Keep the hardware!
- 3) Using the same hardware, Install the new elements from the modification kit in the same position as R1 and R2. The new elements are the same size, and may be interchanged.
- 4) Tighten the elements using a nut driver and align the elements so that they are straight on the boom.
- 5) At this time it is a good idea to check your driven element for proper gap distance between ends of the brass loop. It should be 0.25". A smaller dimension here can cause the driven element to short out during periods of rain. If in doubt, sprinkle water on the driven element and observe that the water does not bridge the gap between the driven element ends.