

Directive Systems & Engineering

2702 Rodgers Terrace
Haymarket, VA 20169-1628

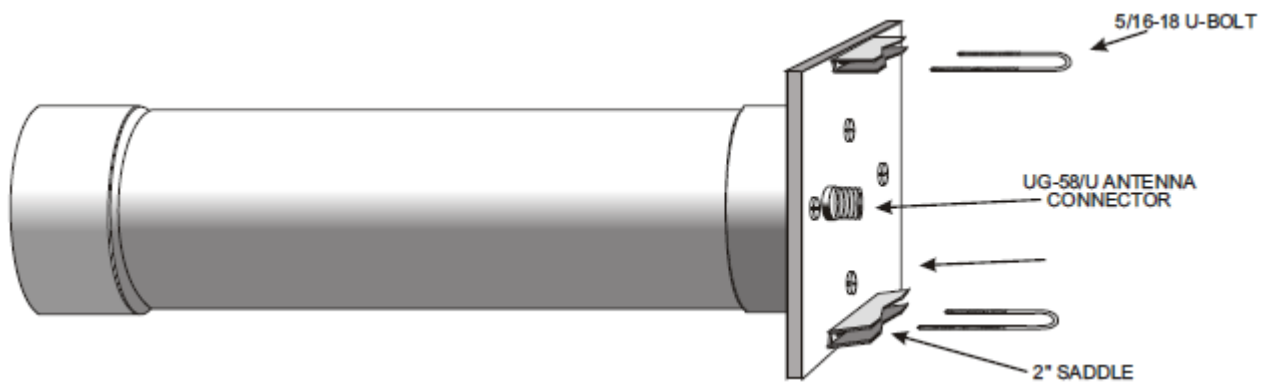
www.directivesystems.com

703-754-3876

2200-2500 MHz Circular Polarized Antenna, Model DSEH12-27

SPECIFICATIONS

Frequency range:	2200 to 2500 MHz	Gain:	18.1 dBic
Polarization :	RHCP (Circular) STD.	3 dB Beamwidth (Circular):	20°
Number of turns:	27	F/B ratio:	≥16 dB
Helix length:	34 inches	Maximum Power:	100 W average
Mast diameter:	2 in. max		
Weight:	5 pounds		
Connector:	Type-N female		



Note: All hardware is Stainless Steel unless otherwise noted.

Anti-Seize Compound - Apply a small amount of the supplied Anti-Seize Compound to the aluminum joints and to the threads of the U-Bolts to prevent galling.

BEFORE INSTALLING YOUR NEW ANTENNA, PLEASE BE SURE TO READ THE ENCLOSED WARNING PAMPHLET.

ASSEMBLY INSTRUCTIONS

- 1) Unpack antenna and locate the U-bolt /Hardware package.
- 2) Install the U-bolts (2) on the 8" x 8" back mounting plate using the saddles, 5/16" hex-nuts and split washers provided. (See drawing above.)
- 3) Attach the antenna to your support mast. The antenna is Right hand circular, and does not require any specific orientation for maximum reception other than to point it in the correct

direction. Tighten the U-bolts to your mast, using the 5/16" hardware supplied. Take care not to crush your support mast.

4) Attach the feed line, and tape it to the mast. The connector should be sealed with electronic grade RTV or equivalent.

5) The antenna SWR has been adjusted at the factory for less than 1.5:1. There are no adjustments to be made to the antenna. Maximum radiation is in the direction of the long axis of the antenna and away from the rear plate.

Directive Systems Warranty Policy

All Directive Systems antennas are built with the finest materials available. We take great pride in building a quality product that will give years of good service and performance. . If there is a defect in materials or workmanship within 90 days of purchase, Directive Systems will repair or replace the defective part, free of charge, to the original purchaser. **DO NOT RETURN ANYTHING WITHOUT PRIOR AUTHORIZATION FROM DIRECTIVE SYSTEMS.** Please contact us either by phone or email describing the problem and we will work to resolve it.

If, after examining a new antenna you received, you are not satisfied, contact us immediately for return authorization and refund. **ANY ANTENNA THAT HAS BEEN MODIFIED WILL BE SUBJECT TO A RESTOCKING CHARGE. IF AN ANTENNA IS SO MODIFIED AS TO MAKE IT UNUSABLE, DIRECTIVE SYSTEMS RESERVES THE RIGHT TO REFUSE TO ACCEPT THE ANTENNA FOR RETURN.**