



Directive Systems & Engineering

2702 Rodgers Terrace
Haymarket, VA 20169-1628

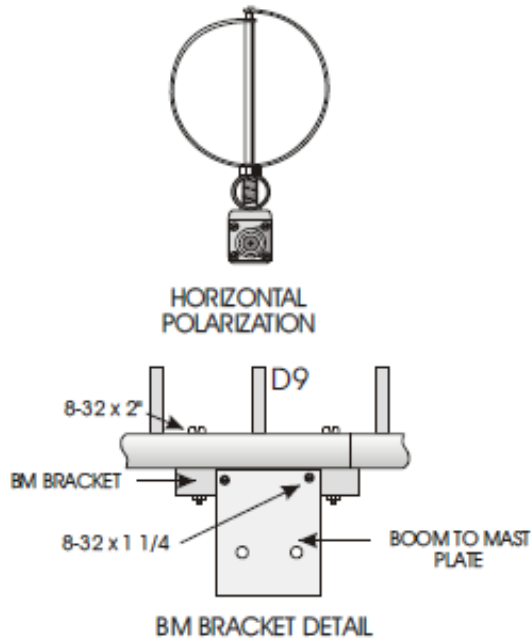
www.directivesystems.com

703-754-3876

900 MHz Loop Yagi, Model DSE3319LY

SPECIFICATIONS

Frequency Range:	890-915 MHz
Number of elements:	19
Boom Length:	72 inches
Boom diameter:	1 inch
Mast diameter:	1 1/2 inch max.
Weight:	4 lbs assembled
Connector:	Type N female
Gain:	16.5 dBi
3 dB Beamwidth (E Plane):	$\approx 30^\circ$
F/B ratio:	>20 dB
Maximum Power:	550 W. average
Stacking Distance:	21 1/2 in. vertical 24 in. horizontal



ASSEMBLY INSTRUCTIONS

- 1) Unpack antenna and locate the hardware package. Boom is broken between directors 9 & 10. Remove D9 and slide boom pieces together to alignment marks. Replace D9.
- 2) Install the 3/4" square BM Bracket to the boom with the 2" screws & nuts provided. It should straddle D9. Bolt the mast plate to the BM bracket with the 1 1/4" screws. Insert the U-bolt in the Boom to Mast Plate along with the machined aluminum saddle. Attach 3319LY to your support mast.
- 3) Attach the feed line, and tape it to the bottom of the boom. The connector should be sealed with electronic grade RTV or equivalent. Don't forget to seal the area where the .141" semi rigid coaxial cable extends into the rear of the antenna connector.
- 4) Straighten any misaligned elements and tighten hardware if necessary.
- 5) The antenna SWR has been adjusted at the factory for less than 1.5:1. Additional tweaking can be accomplished by adjusting the distance between the driven element and R1 and D1, or by adjusting the shape of the driven element.
- 6) If antennas are to be stacked, see "Instructions for Stacking Loop Yagis".

Directive Systems Warranty Policy

All Directive Systems antennas are built with the finest materials available. We take great pride in building a quality product that will give years of good service and performance. If there is a defect in materials or workmanship within 90 days of purchase, Directive Systems will repair or replace, free of charge, the defective part. **DO NOT RETURN ANYTHING WITHOUT PRIOR AUTHORIZATION FROM DIRECTIVE SYSTEMS.** Please contact us either by phone or email describing the problem and we will work to resolve it. If, after examining a new antenna you received, you are not satisfied, contact us immediately for return authorization and refund. **ANY ANTENNA THAT HAS BEEN MODIFIED WILL BE SUBJECT TO A RESTOCKING CHARGE. IF AN ANTENNA IS SO MODIFIED AS TO MAKE IT UNUSABLE, DIRECTIVE SYSTEMS RESERVES THE RIGHT TO REFUSE TO ACCEPT THE ANTENNA FOR RETURN.**