

Directive Systems & Engineering

2702 Rodgers Terrace
Haymarket, VA 20169-1628

www.directivesystems.com

703-754-3876

23cm Loop Yagi Kit, Model DSE2325LYK

SPECIFICATIONS

Frequency range:	1.27 to 1.30 GHz	Gain:	18.5 dBi
Number of elements:	25	3 dB Beamwidth	
Boom length:	72 inches	(E plane):	24°
Boom diameter:	1 inch	F/B ratio:	>20 dB
Mast diameter:	2 inches max	Maximum Power:	550 W average
Weight: (assembled)	3 pounds assembled	Stacking distance:	19 1/4" (48.9cm) V
Connector:	Type-N female		21 3/4" (55.25cm) H

PARTS LIST

Note: All hardware is Stainless Steel unless otherwise noted.

Quantity	Description	Quantity	Description
2	.058" x 1" drilled boom	25	4-40 x 1 1/4" screw
1	reflector 1 (1/4" wide)	25	4-40 lock nut
1	reflector 2 (3/8" wide)	2	8-32 x 1 1/4" screw
1	driven element	2	8-32 x 2" screw
4	directors 1-4 (1/4" wide)	4	8-32 hex nut
7	directors 5-11	4	#8 Split Lock Washer
6	directors 12-17	1	Boom to Mast Bracket
5	directors 18-22	1	Boom to Mast Plate
1	Anti-Seize Compound	1	2" U-bolt with nuts & lock washers
2	1" Black End Cap	1	Saddle
		1	Cable assembly w/connector
		1	Assembly Manual

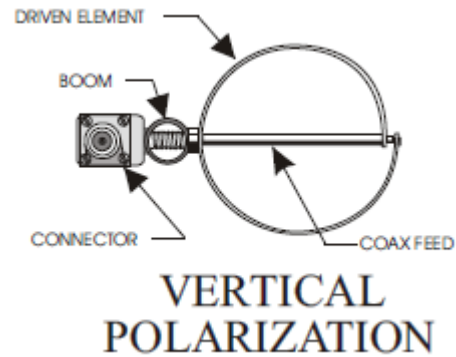
Anti-Seize Compound - Apply a small amount of the supplied Anti-Seize Compound to the aluminum joints and to the threads of the U-Bolts to prevent galling.

CAUTION: *While we strive to remove all burrs from all machined parts, there is always the possibility of sharp edges. We strongly suggest checking the edges and use a fine file, or 400 grit sandpaper, to remove any burrs that may have been left.*

BEFORE INSTALLING YOUR NEW ANTENNA, PLEASE BE SURE TO READ THE ENCLOSED WARNING PAMPHLET.



(Can be up or down)



(Can be left or right)

ASSEMBLY INSTRUCTIONS

1) Attach loops to the boom with 4-40 screws and locknuts in proper sequence. Loops go on the side of the boom marked with an "X". Attach the contents of each bag of elements before opening the next bag. This will prevent any mix-up of elements on the boom. R2 (Reflector 2 -3/8" wide) is always the first element to be installed with R1 (Reflector 1 -1/4" wide) always next to the driven element. The boom is spliced between D12 and D13 and is held together by the mounting screws for these elements. When tightening the nuts on the parasitic elements, be careful not to torque them too tightly. Snug down the nuts, align the elements and use a screwdriver for the final tightening. A 1/4-inch nut driver is almost mandatory for this job! Attach the driven element with the 5/16 nut provided. If only a single antenna is being built, it doesn't matter which way the loop is oriented. If antennas are to be stacked, see "Instructions for Stacking Loop Yagis".

2) Attach the boom to mast bracket (3/4" square tubing) to the boom with 8-32 x 2" hardware at director # 10. Note that the nut for D10 aligns with the large clearance hole in the bracket. Attach the boom to mast plate to BM bracket with 8-32 x 1 1/4" hardware. Install U-bolt and saddle in mast plate. The mounting mast may be up to 2" in diameter and should be installed directly underneath the antenna boom.

3) Install the cable assembly through the hole in the driven element mounting bolt. Make sure the connector bracket is correctly oriented, the bend should be forward for center mount antennas and rear facing for rear mount antennas. Solder the outer shield to the driven loop first making sure there is no shield sticking above the large hole in the driven loop. After the shield is soldered, pass the center conductor through the small hole in the driven loop and bend the center conductor over and solder (See Assembly Tips below).

We have created a You Tube video, the link of which can be found on our website, documenting the following steps:

<https://youtu.be/ojXbsDv5cvU>

At this point the connector assembly is facing down, connect a piece of coax and your SWR bridge or VNA. Pull down on the connector (which will flatten the loop) until you reach the lowest SWR. If it's less than 1.5:1 you can stop and make sure the loop doesn't try to pop back up, sometimes you have to squeeze the loop with your fingers to make sure it stays in the shape that gave the best SWR. If you want to further lower the SWR, from the rear of the antenna, place both your thumbs on the driven loop on either side and gently push it forward towards D1, you only need to tilt it maybe 3/16" to 1/4" and that should drop the SWR to 1.1:1 or less.

Now, GENTLY bend the UT-141 coax after it exits the boom towards the front or rear, depending on the mounting. You do not want to bend it so tightly that it crushes where it extends through the bolt. The connector bracket should line up with either D1 or D2 (or the hole with the circle around it on rear mount antennas), remove that nut and place the connector bracket on the screw and re-attach the nut. If the bracket doesn't line up, sometimes you have to flip the bracket. Loosen the 3/4" nut by holding the connector body with a 9/16" open end wrench. Remove the connector bracket and flip it.



Connector doesn't fit



Front Mount Connector



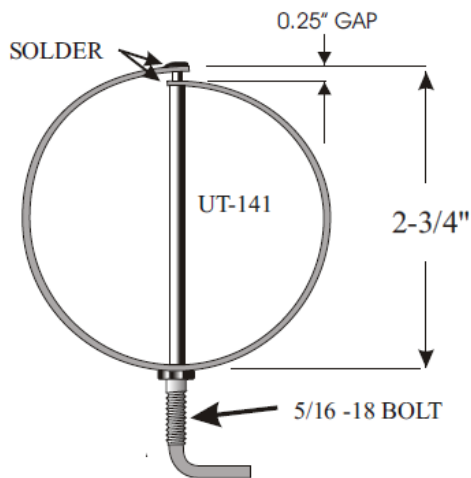
Rear Mount Connector

- 4) Attach the feedline and tape it to the mast. Seal all connections with silicone RTV or equivalent.
- 5) Attach the two black end caps, and this will complete the assembly of your DSE2325LYK.
- 6) The SWR should be 1.5:1 or better. Additional tweaking can be accomplished by adjusting the distance between the driven element and R1 or by adjusting the shape of the driven element.

DO NOT, UNDER ANY CIRCUMSTANCES, APPLY ANY TYPE OF SEALANT OR COATING TO THE DRIVEN ELEMENT, T-ARMS OR CONNECTOR ASSEMBLY, OTHER THAN KRYLON® CLEAR COAT. ANY OTHER COATING WILL ADVERSELY AFFECT THE SWR AND VOID YOUR WARRANTY.

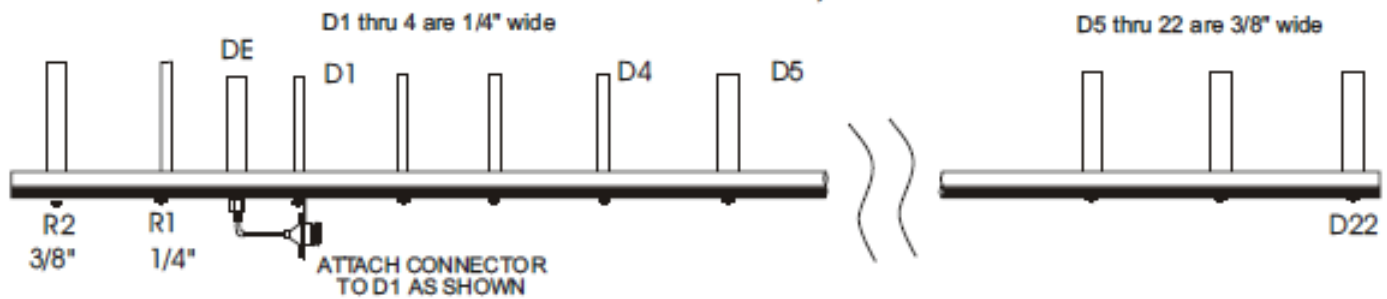
ASSEMBLY TIPS:

The boom diameter is 1 inch, and it is drilled for 4-40 hardware (no. 33 drill bit). The driven element hole is enlarged to 5/16 inch. All elements are 0.032 inch thick. R1 and D1-D4 are 0.250-inch-wide; the rest are 0.375 inch wide. Note that the element spacing from D7 on is 3.56 inches. The feed coaxial cable (0.141-inch semi rigid) goes through the mounting bolt and is soldered to the open ends of the element. For best match, the driven element should be approximately 2.75 inches high; this makes it wider than it is tall. This shape can be adjusted for best match. This antenna is based on work done by G3JVL.



Soldered Driven Element

DIMENSIONS OF 1296 MHz LOOP YAGI, MODEL 2325LYK



Element	Spacing from end of boom	Circumference	Element	Spacing from end of boom	Circumference
R2	0.00	9.794	D10	27.36	8.356
R1	3.10	9.850	D11	30.92	8.356
DE	4.05	9.386	D12	34.48	8.102
D1	5.17	8.405	D13	38.04	8.102
D2	6.00	8.405	D14	41.60	8.102
D3	7.78	8.405	D15	45.16	8.102
D4	9.56	8.405	D16	48.72	8.102
D5	10.81	8.356	D17	52.28	8.102
D6	13.12	8.356	D18	55.84	7.841
D7	16.68	8.356	D19	59.40	7.841
D8	20.24	8.356	D20	62.96	7.841
D9	23.80	8.356	D21	66.52	7.841
			D22	70.08	7.841

Note: All dimensions are in inches

Directive Systems Warranty Policy

All Directive Systems antennas are built with the finest materials available. We take great pride in building a quality product that will give years of good service and performance. If there is a defect in materials or workmanship within 90 days of purchase, Directive Systems will repair or replace the defective part, free of charge, to the original purchaser. **DO NOT RETURN ANYTHING WITHOUT PRIOR AUTHORIZATION FROM DIRECTIVE SYSTEMS.** Please contact us either by phone or email describing the problem and we will work to resolve it.

If, after examining a new antenna you received, you are not satisfied, contact us immediately for return authorization and refund. **ANY ANTENNA THAT HAS BEEN MODIFIED WILL BE SUBJECT TO A RESTOCKING CHARGE. IF AN ANTENNA IS SO MODIFIED AS TO MAKE IT UNUSABLE, DIRECTIVE SYSTEMS RESERVES THE RIGHT TO REFUSE TO ACCEPT THE ANTENNA FOR RETURN.**